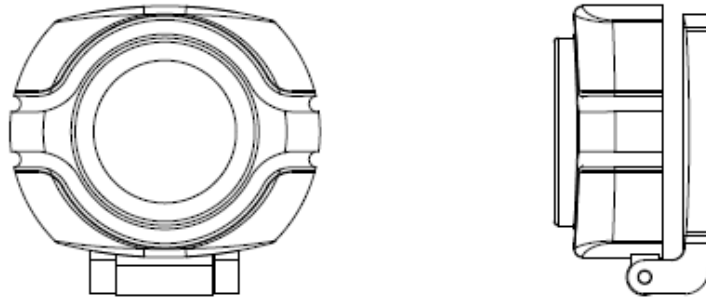


GP Batteries

Product Specifications

Model no.: CH31



| | |
|----------------------|---|
| Product Name | : Multiuse Compact Headlamp |
| Lumen output* | : 40lm / 12lm (+/- 15%) |
| Beam Distance* | : Max 8m (+/- 15%) |
| Runtime | : 40lm: 6 hours / 12lm: 6 hours |
| Battery type | : 2 x CR2025 |
| LED chip | : Patented LED |
| IP rate* | : -- |
| Shock proof* | : Impact resistant, 1m |
| Dimensions | : 38 x 36 x 20 mm |
| Weight | : 25.1 g (without batteries), 30 g (with batteries) |
| Accessories Included | : 2 x CR2025 (Pre-installed) |
| Certification | : CE, ROHS |

