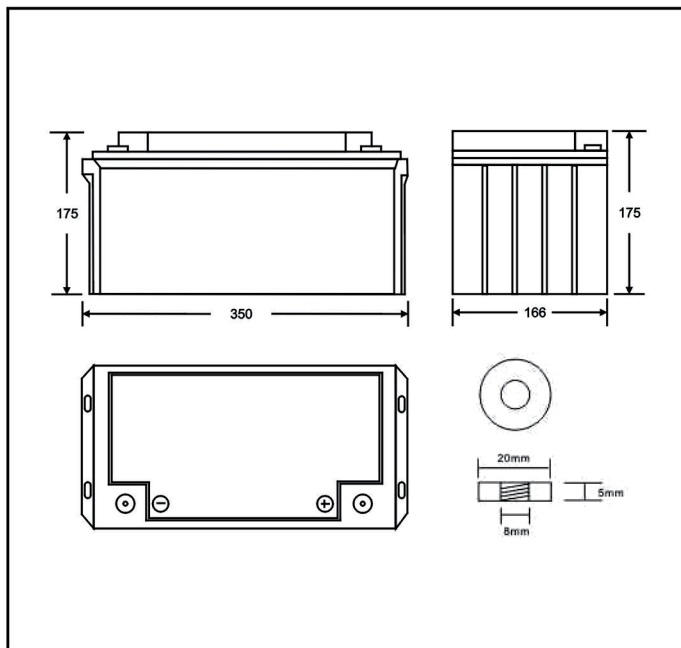


A brand of **legrand**

Operating Temp. Range: Discharge : -15 – 50°C (5 120°F); Charge : 0 – 40°C (5 104°F); Storage: -15 - 40°C (5 104°F)



Designed Floating Life 5 Years



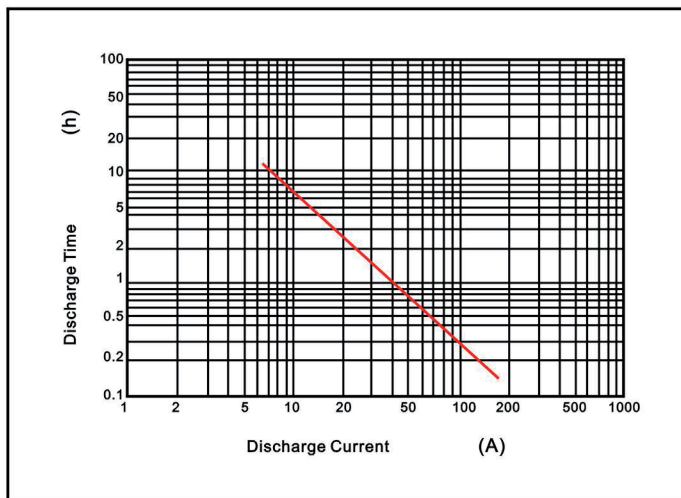
Specifications

OT 65-12		
Nominal Voltage	12V	
Rated Capacity (10 hours rate)	65Ah	
Dimension (±2mm)	Total Height (with terminals)	175mm
	Length	350mm
	Width	166mm
	Height	175mm
Weight (Approx)	20.65Kg	

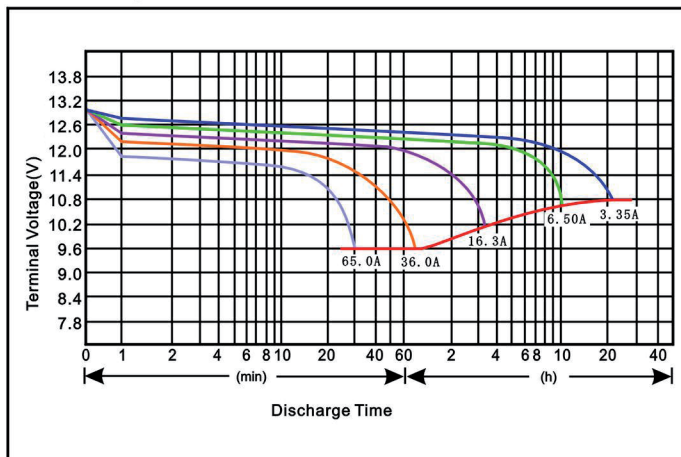
Characteristics

Capacity (25°C)	10 hours rate 10 (6.5A)	65Ah
	3 hours rate 3 (16.25A)	49Ah
	1 hours rate 1 (35.75A)	36Ah
Internal Resistance	Full Charged Battery 25°C	6mΩ
Capacity Affected By Temperature (10 hours rate)	40°C	102%
	25°C	100%
	0°C	85%
	-15°C	62%
Residual Capacity (25°C)	Capacity After 3 Months Storage	91%
	Capacity After 6 Months Storage	82%
	Capacity After 12 Months Storage	64%
Float Service Life (Above 3 Years)	Voltage 13.6~13.8V/12V (25°C)	
Design Life	Above 5 Years	
Charge (Constant Voltage 25°C)	Initial Charging Current Less Than 19.5A; Voltage 14.5~14.9V	

Discharge Current & Duration Time



Discharge Current 25°C



★ The above are average and data obtained from the first 3 charge/discharge cycles. These are not minimum values.