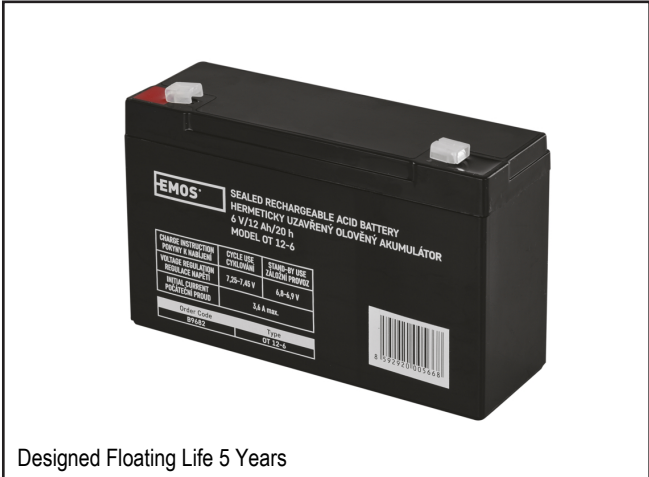
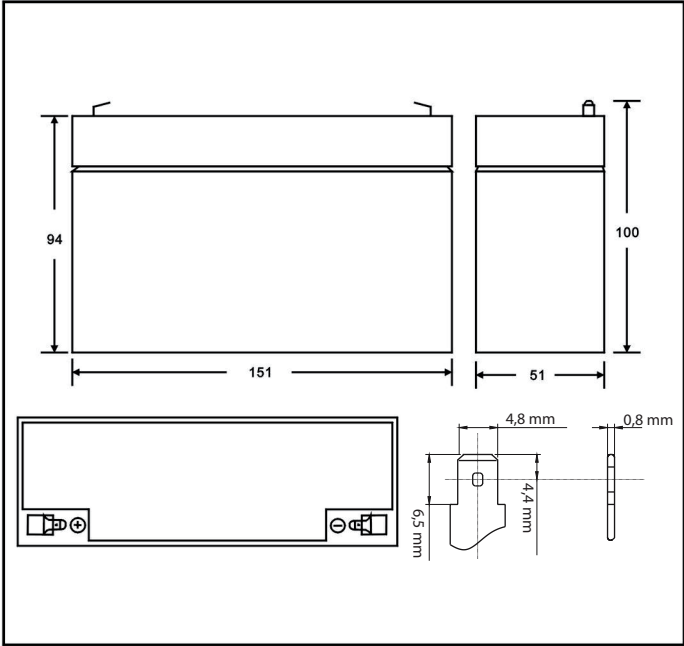


A brand of **legrand**

Operating Temp. Range: Discharge : -15 – 50°C (5 120°F); Charge : 0 – 40°C (5 104°F); Storage: -15 - 40°C (5 104°F)



Designed Floating Life 5 Years



■ Specifications

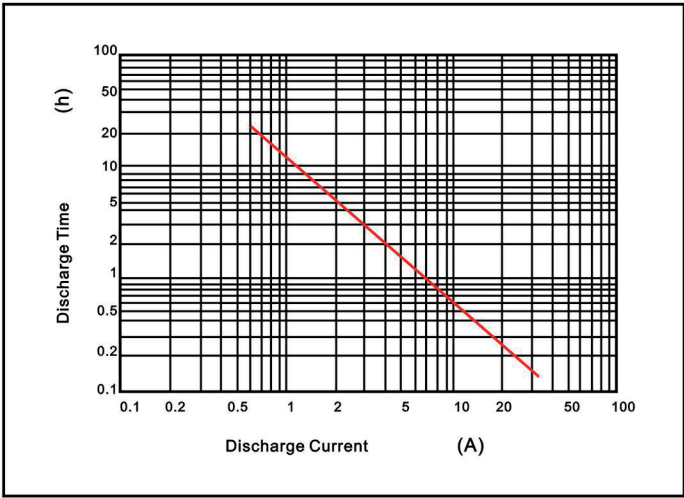
OT 12-6		
Nominal Voltage	6V	
Rated Capacity (20 hours rate)	12Ah	
Dimension (±2mm)	Total Height (with terminals)	100mm
	Length	151mm
	Width	51mm
	Height	94mm
Weight (Approx)	1.81Kg	

■ Characteristics

Capacity (25°C)	20 hours rate (0.6A)	12.0Ah
Discharge Current Testing (25°C)	20 I <sub>20</sub> rate 1 (12A, 27min)	38min
	60 I <sub>20</sub> rate 3 (36A, 7min)	8.5min
Internal Resistance	Full Charged Battery 25°C	8mΩ
Capacity Affected By Temperature (20 hours rate)	40°C	102%
	25°C	100%
	0°C	85%
	-15°C	62%
Residual Capacity (25°C)	Capacity After 3 Months Storage	91%
	Capacity After 6 Months Storage	82%
	Capacity After 12 Months Storage	64%
Cycle (Above 300 Time)	Discharge 2hrs at 3.0A Current Charge 6hrs at 1.2A Current (25°C)	
Charge (Constant Voltage)	Cycle (25°C)	Initial Charging Current Less Than 3.6A; Voltage 7.25-7.45V
	Float (25°C)	Charge Voltage 6.8-6.9V

★ The above are average and data obtained from the first 3 charge/discharge cycles. These are not minimum values.

■ Discharge Current & Duration Time



■ Discharge Current 25°C

