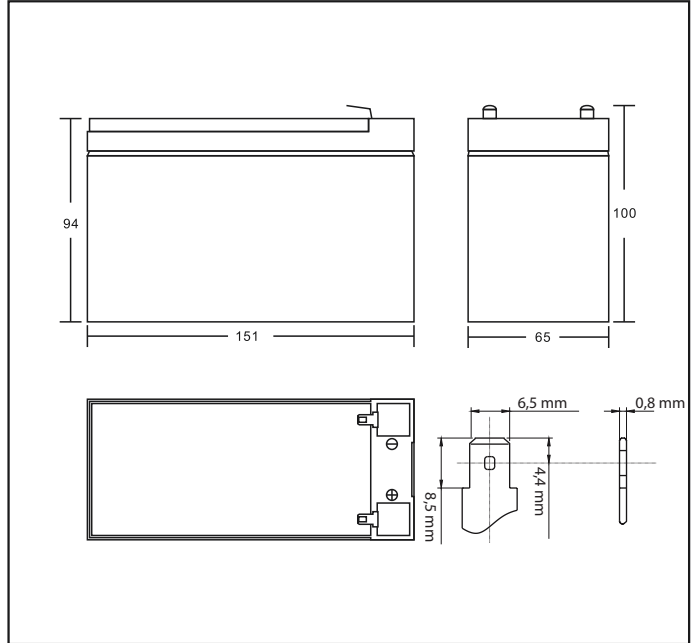


A brand of legrand®

Operating Temp. Range: Discharge : -15 – 50°C (5 120°F); Charge : 0 – 40°C (5 104°F); Storage: -15 - 40°C (5 104°F)



Designed Floating Life 5 Years



■ Specifications

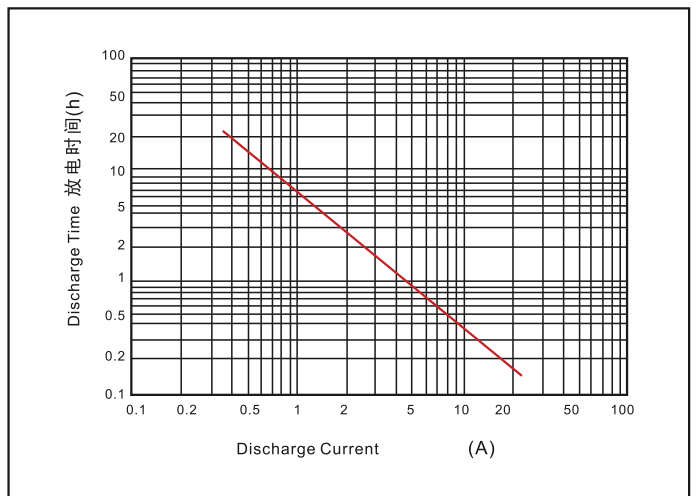
OT 7.2-12		
Nominal Voltage	12V	
Rated Capacity (20 hours rate)	7.2Ah	
Dimension (±2mm)	Total Height (with terminals)	100mm
	Length	151mm
	Width	65mm
	Height	94mm
Weight (Approx)	2.20Kg	

■ Characteristics

Capacity (25°C)	20 hours rate (0.36A)	7.2Ah
Discharge Current Testing (25°C)	20 I ₂₀ rate (7.2A, 27min)	39min
	60 I ₂₀ rate (21.6A, 7min)	9min
Internal Resistance	Full Charged Battery 25°C	23mΩ
Capacity Affected By Temperature 20 hours rate	40°C	102%
	25°C	100%
	0°C	85%
	-15°C	62%
Residual Capacity (25°C)	Capacity After 3 Months Storage	91%
	Capacity After 6 Months Storage	82%
	Capacity After 12 Months Storage	64%
Cycle (Above 300 Time)	Discharge 2hrs at 1.8A Current Charge 6hrs at 0.72A Current (25°C)	
Charge (Constant Voltage)	Cycle (25°C)	Initial Charging Current Less Than 2.16A; Voltage 14.5~14.9V
	Float (25°C)	Charge Voltage 13.6~13.8V

★ The above are average and date obtained from the first 3 charge/discharge cycles. These are not minimum values.

■ Discharge Current & Duration Time



■ Discharge Current 25°C

