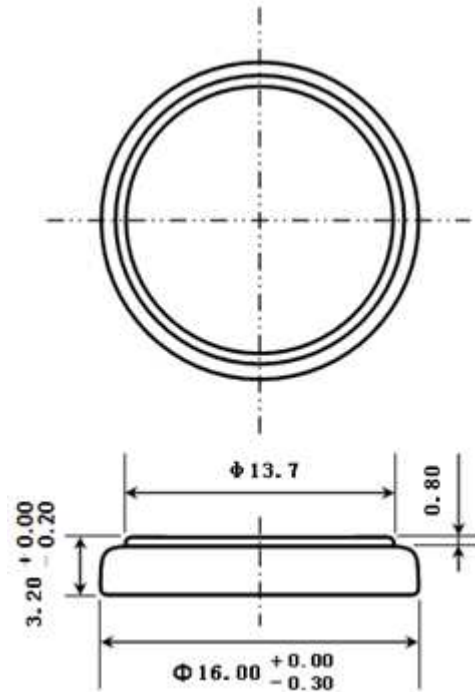


Description : Flat Lithium Battery
Chemical system : Lithium Manganese
Nominal voltage : 3 Volts
Nominal capacity : 140mAh
Dimensions : Ø16mm x 3.2mm
Shelf life : 10 years at room temperature
Average weight : 1.8 grams
Operation temperature : -20°C ~60°C
Storage temperature : 20 ± 2°C

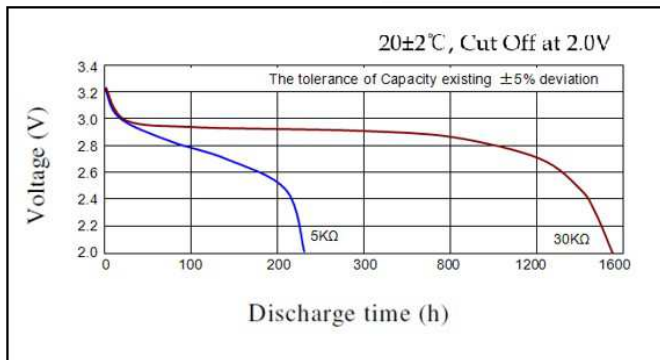
Cross References:

IEC	JIS	Panasonic	Varta
CR1632	CR1632	CR1632	CR1632

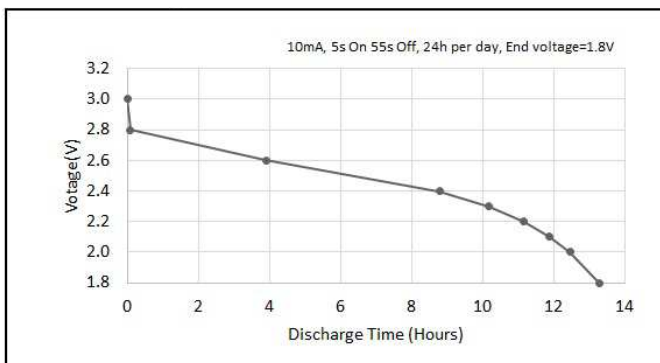
Model No.: **CR1632**



Discharge Characteristics



Pulse discharge characteristics



The information (subject to change without prior notice) contained in this document is for reference only and should not be used as a basis for product guarantee or warranty. For applications other than those described here, please consult your nearest GP Sales and Marketing Office or Distributors.