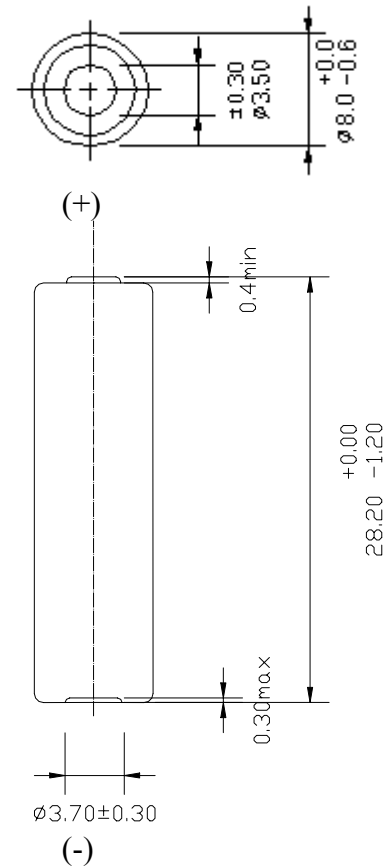


Model No.: GP27A



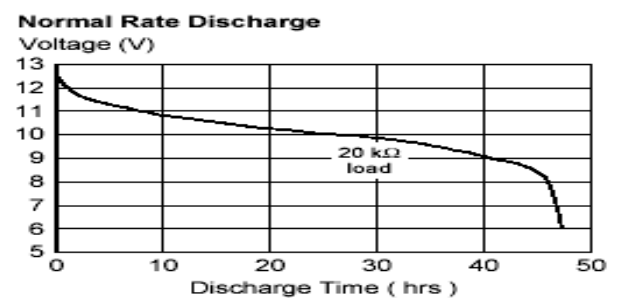
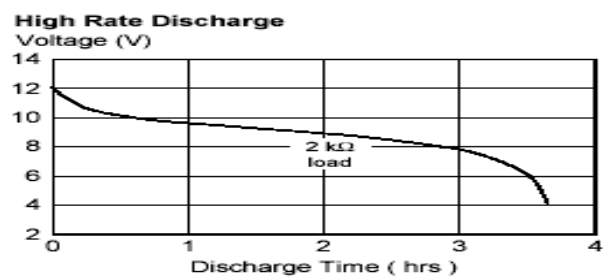
Unit : mm

- Description** : Alkaline High Voltage Battery
- Nominal Voltage** : 12Volts
- Nominal Dimensions** : Ø8.0mm×28.2mm
- Terminal** : Nickel plated flat contacts - protruded red(+); recessed black (-)
- Jacket** : Metal jacket
- Internal Connection** : Pressure
- Applications** : Remote controller
- Average Weight** : 4.4g
- Date Code** : Unless otherwise specified, each batteries will carry a numeric year code and analogue month code
- Shelf Life** : Not less than 90% of the service capacity within first year. , not less than 85% of the service capacity with third year storage at 22 ± 3 °C 40-80 %RH
- Insulation** : 5MΩ min.
- Resistance**
- Close Circuit Voltage** : 10.5Volts (min.)(load resistor 1.6kΩ at 22 ± 3 °C for 0.1 to 2 seconds)
- Current Drain** : Under 15mA pulse, 0.5mA continuous
- Nominal Service Life** : 38hrs (at 20kΩ load) (to 6.0V at 22 ± 3 °C)
- Average Service Capacity** : 20mAh(at 20kΩ load) (to 6.0V at 22 ± 3 °C)

Cross References:

GP	Eveready	Duracell	Varta
27A	---	---	---

Typical Discharge characteristics at 22 ± 3 °C



The information (subject to change without prior notice) contained in this document is for reference only and should not be used as a basis for product guarantee or warranty. For applications other than those described here, please consult your nearest GP Sales and Marketing Office or Distributors.